



WORLD CLIMBING EUROPE SERIES LIPTOVSKÝ MIKULÁŠ 2026

BOULDER

SLOVAKIA

16-17 May 2026

ORGANISED BY
SLOVAK MOUNTAINEERING UNION JAMES & LOZILLA CLIMBING CENTER

Version 1.0
08/04/2026





- 1. Organisation**
- 2. Programme**
- 3. Deadlines and quotas**
- 4. Logistics**
- 5. Sport information**
- 6. Medical information**

1. Organisation

1.1. World Climbing Officials

Judging Team		
Jury President	Werner Gächter (AUT)	werner.gaechter@uibk.ac.at
Judges	Hana Kroupová (CZE)	hanakroupova1011@gmail.com
Routesetting Teams		
Head Routesetter	Christophe Cazin (NOR)	christophe.cazin@yahoo.fr
Routesetter	Nataleigh Bell (BEL)	nataleighnaat@gmail.com

1.2. Local Organiser Committee

Event		
Event Director	Matej Hulej (SVK)	mates@lozilla.sk
Sport Director	Vladimír Mihál (SVK)	mihal.vladimir@gmail.com
Administration and logistics		
Media & Communications		
Media	Marian Galajda (SVK)	marian.galajda@tmr.sk
Communications	Roman Oružinský (SVK)	roman@alttag.media

2. Programme

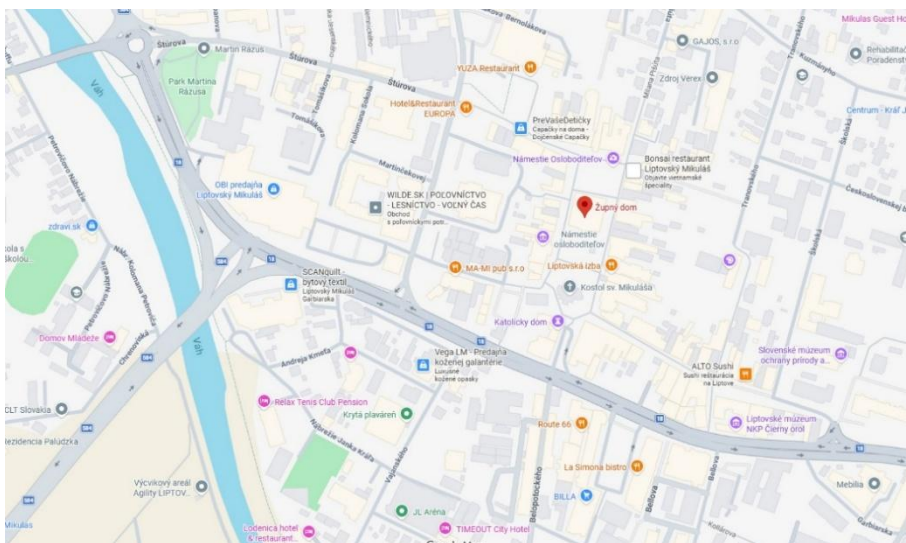
2.1. Provisional Programme (Local Time, UTC +2)

Friday, 15 May	
17:00 – 19:00	Confirmation of Attendance at Župný dom (County house)
19:30	Technical Meeting at Župný dom (County house)
Saturday, 16 May	
06:30	Opening of warm up area for Women
8:30 – 13:30	Women's Qualification
13:30	Opening of warm up area for Men
15:00 – 21:30	Men's Qualification
Sunday, 17 May	
6:30 – 7:15	Opening/Closing isolation zone for Women
8:15	Observation Women
8:30 – 10:45	Semifinal Women
10:15 – 11:00	Opening/Closing isolation zone area for Men
12:00	Observation Men
12:15 – 14:30	Semifinal Men
14:00 – 14:45	Opening/Closing isolation zone for Women

15:45	Presentation & Observation for Women
16:00 – 17:00	Final Women
16:30 – 17:15	Opening/Closing isolation zone for Men
18:15	Presentation & Observation for Men
18:30 – 19:30	Final Men
Afterwards (20:00-20:30)	Awards ceremony

2.2. Technical Meeting

Location:



The venue for all Technical Meetings is in the building (Župný dom) directly behind the climbing venue.



Date and time: Friday, 15 May at 19:30

Building

Župný dom (County house), 1st Floor

[Námestie osloboditeľov 1, 031 01 Liptovský Mikuláš](#)

IMPORTANT: Please note that a maximum of two (2) National Team Officials per Country will be allowed to access the Technical Meeting.

2.3. Confirmation of Attendance

Building

Župný dom (County house), 1st Floor

[Námestie osloboditeľov 1, 031 01 Liptovský Mikuláš](#)

Physical confirmation of registration is mandatory. The Team Manager is responsible to communicate the presence of the National Team. In case the National Team did not register the Team Manager, another member of the National Team shall be appointed to confirm attendance of the Team. In case of emergencies and late arrival, the Jury President must be informed immediately. Failure to provide this information in a timely manner may result in the athletes not being permitted to compete. A digital copy of the athletes' passports shall be provided at the confirmation of attendance.

IMPORTANT: If you pick up your accreditation for the event already before the designated registration time, your attendance is not confirmed automatically! You will still need to confirm your attendance, either in person during the above-mentioned registration time or via message to the Jury President.

3. Deadlines and quotas

3.1. Registration deadline

Registration deadline: The deadline for registration is 10 days before the first day of competition (the "Registration Date") on **Tuesday, 5 May 2026, at 23:59 UTC.**

Online Registration System: <https://ifsc.results.info/users/login>.

3.2. Valid athletes' international licence

Licences: Only competitors and team officials with a valid World Climbing International licence are allowed to register for the competition.

4. Logistics

4.1. Visa and Travels

If you need invitations for visa, please contact *Eva Procházková* | sekretar@james.sk no later than 1 month prior to the competition. We need all the information shown in the following table from all team members to send you an invitation letter. Please send the information all together in one table and also add passport copies.

Name (First/Last)	Date of birth	Nationality	Passport Number	Expiration date	Position

4.2. Accommodation

4.2.1. Suggested hotels:

For sustainability reasons, we recommend that competitors choose accommodation within walking distance. The town of Liptovský Mikuláš offers several options, which are available at www.booking.com or www.megaubytovanie.sk. See below for a list of some of the available hotels.

- **Hotel Jánošík**

Address: [Jánošíkovo nábrežie 1, 031 01 Liptovský Mikuláš](#)

Telephone No. : +421 44 55 22 723

WEB: <https://hoteljanosik.sk/en/home/>

More information: The Janosik hotel is located in the town of Liptovský Mikuláš, just a 10-minute walk from the event venue and the urban centre. It offers you comfortable accommodation and a variety of wellness facilities. The hotel houses a spa centre, which can be accessed for an additional fee. This includes several saunas (steam, herbal and Finnish), massage treatments, a tepidarium, a hot tub and a pool with counter flow. Private on-site parking is available for a fee, but it is not possible to make a reservation.

- **Lake Garden Tatralandia**

Address: [Ráztocká 72/150, 031 01 Liptovský Mikuláš – Ráztocky](#)

Telephone No. : +421 44 200 09 22 (for individual clients) / +421 52 370 0111 (for travel agencies & operators)

WEB: <https://www.tmrhotels.com/Lake-Garden-Tatralandia/en/>

More information: Comfortable and stylish accommodation in the Liptov region is the ideal destination all year round. You'll appreciate the proximity of the Tatralandia aquapark and the beaches of the Liptovská Mara reservoir, which offer excellent relaxation facilities. Guests benefit from unlimited access to the aquapark. Free parking for guests is available directly in front of the hotel. Due to its location outside the town center, travel to the event venue (Liptovský Mikuláš city center) requires a short drive by car (approximately 10 minutes).

- **Holiday Village Tatralandia**

Address: [Ráztocká 21, 031 05 Liptovský Mikuláš](#)

Telephone No. : +421 44 290 13 23 (for individual clients) / +421 52 370 0111 (for travel agencies & operators)

WEB: <https://www.tmrhotels.com/holiday-village-tatralandia/en/>

More information: Holiday Village Tatralandia is an attractive accommodation option, located just a few meters from Tatralandia aquapark and offering cozy, fully equipped cottages with private terraces and views of the surrounding Tatra mountains. Guests benefit from unlimited access to the aquapark, including early entry before official opening, as well as a daily entry to the Celtic Sauna World. They all cottages feature outdoor fireplaces, fire rings, children's playgrounds, there is a tennis and basketball court in the area as well. In the evening, one can try bowling, or watch films in 5D cinema. Due to its location outside the town center, travel to the event venue (Liptovský Mikuláš city center) requires a short drive by car (approximately 10 minutes).

There are also several smaller capacity Airbnb renting spots located near the event venue and several more within the town of Liptovský Mikuláš, where many locations are reachable within a walking distance.

4.3. Transport

We ask you to use sustainable mobility as best as possible, e.g. bus, train, bike, e-car sharing and rental. All necessary information can be found here:

- **IMPORTANT:** A designated parking area will be provided for competing teams.
- Liptovský Mikuláš is part of the IDS PLUS integrated transport system, allowing travel across city buses, regional buses and trains with a single ticket. During the ticket validity (e.g. 60-minute ticket), passengers may freely transfer between services. Public transport schedules & journey planner: <https://imhd.sk/lm/public-transport>. Integrated transport system overview: <https://www.mikulas.sk> (IDS PLUS info).
- Shared electric scooters (DOTT app) are available throughout the city. In the centre, they must be parked at designated stands (e.g. Župný dom, Čierny orol, library, Garbiarska). Speed is GPS-regulated for safety.

4.4. Travel information

By Bus: Long-distance buses to Liptovský Mikuláš operate from major Slovak cities. According to available travel data, there is no direct bus connection from Bratislava, so passengers travel with a transfer in Žilina; the total journey takes approximately 5 hours. Bus connections for all routes within Slovakia can be checked using the national timetable planner: <https://cp.hnonline.sk/en>.

By Train: Liptovský Mikuláš has a well-connected main railway station, with direct trains from Bratislava (approx. 3h 19m), and connections from Vienna or Budapest via Bratislava or Vienna. Train schedules can be found at the national railway journey planner <https://www.zsr.sk/en/>.

By Plane: Liptovský Mikuláš does not have an airport. Travelers typically arrive via major international airports such as Bratislava, Poprad, Košice, Krakow, Vienna or Budapest, and then continue by train or bus to Liptovský Mikuláš.

4.5. Accreditations

Journalists and/or photographers can accredit themselves for the event by sending a prior request to SHS JAMES via email: *Eva Procházková* | sekretar@james.sk.

4.6. Tickets

Free entrance for all rounds.

5. Sport Information

5.1. Venue information

Venue: [Námestie osloboditeľov 1, 031 01 Liptovský Mikuláš](#)

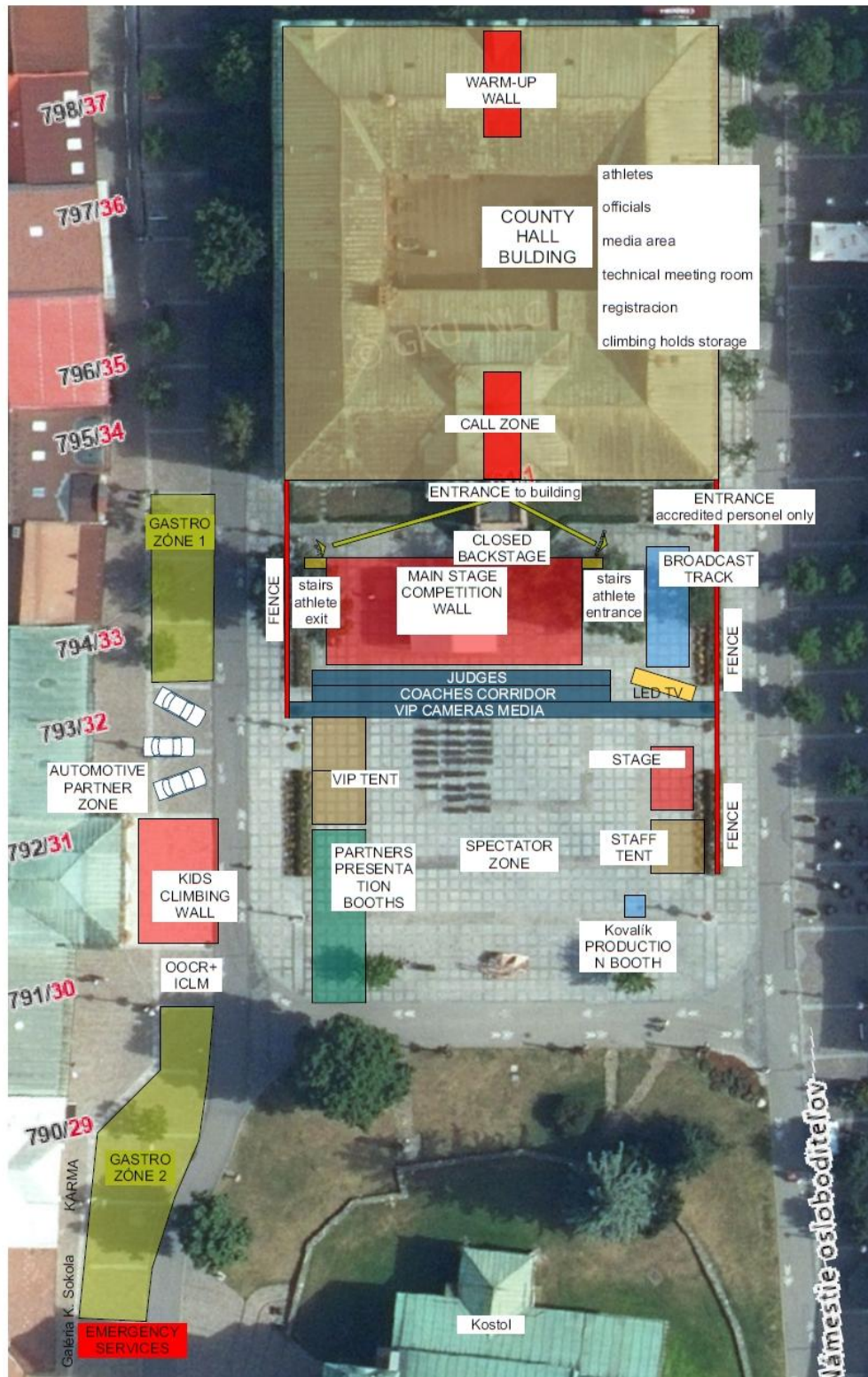


Figure 1 Event venue

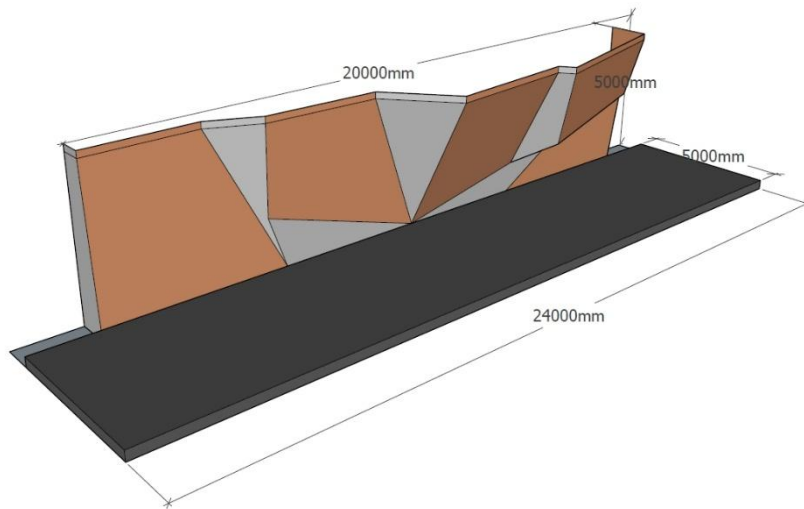


Figure 2 Competition wall

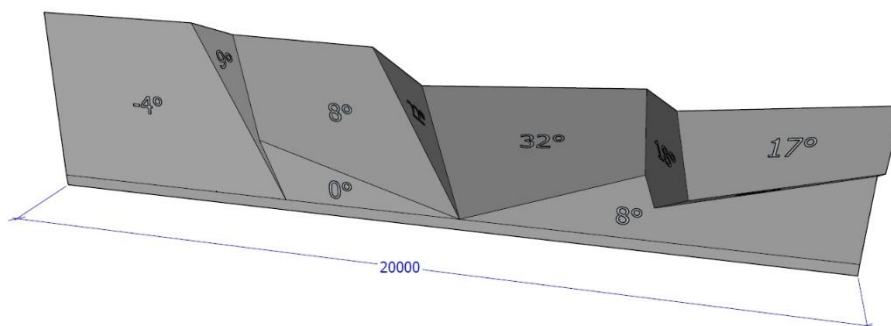


Figure 3 Competition wall - angles

5.2. Warm-up zone

Venue: [Námestie osloboditeľov 1, 031 01 Liptovský Mikuláš](#)

The ground floor of the Župný dom (County house) will be available for general warm-up and physiotherapy purposes. The 13.5-meter-long indoor bouldering wall at the back of the building will be used for climbing warm-up.

5.1. Training Possibilities

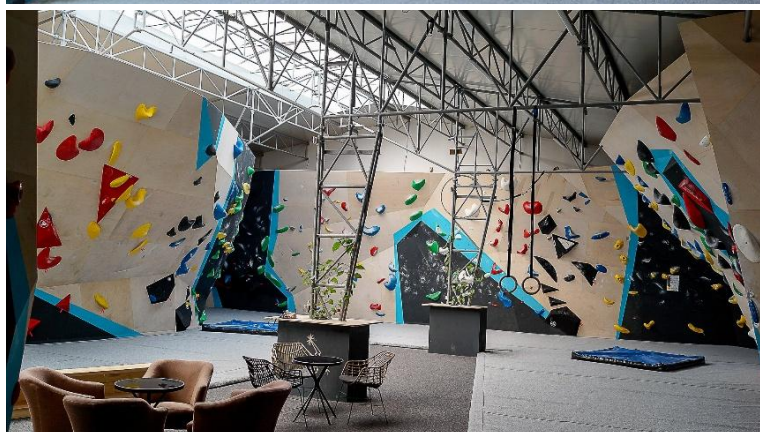
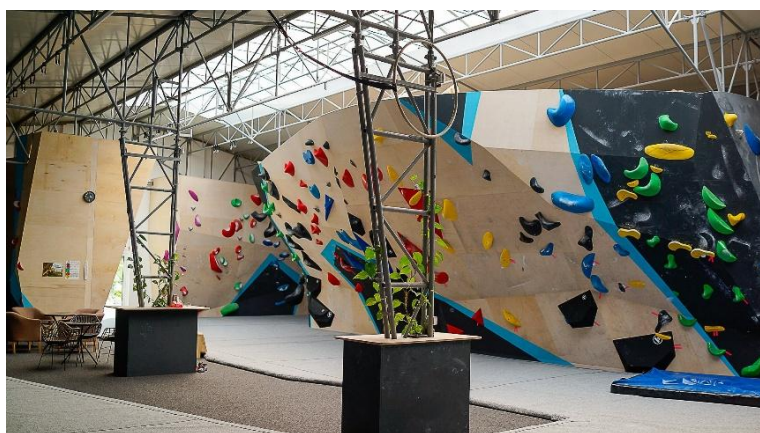
IMPORTANT: All European Series participants (and their coaches) that are registered for WCES in Liptovský Mikuláš and wearing national team clothing can climb for free May 14 and 15 at LOZILLA climbing center in Liptovský Mikuláš.

LOZILLA climbing centre

Address: [Generála Milana Rastislava Štefánika, 031 01 Liptovský Mikuláš](#)

WEB: <https://www.lozilla.sk/>

LOZILLA climbing center in Liptovský Mikuláš is a bouldering gym located in the town of Liptovský Mikuláš, just a 10-minute walk from the event venue. With a total climbing area of 660 m², it offers more than 100 boulders along with a training zone.



There are no other climbing gyms in Liptovský Mikuláš, but there are also training possibilities in Žilina.



LA SKALA climbing center Žilina

Address: [Centrálne 8919/2, 010 01 Žilina, Slovakia](#)

WEB: <https://laskala.sk/home/>



Lezecká stena K2 Žilina

Address: [Dolné Rudiny 3667/7, 010 01 Žilina](#)

WEB: <https://www.k2zilina.sk/en/home/>

6. Medical information

6.1. General information

Emergency local doctor during the event: The medical team will be on-site from the opening of the isolation zone until the end of the final competition. In addition to the emergency doctor, there will be a team of paramedics at the venue during the competition.

Emergency Numbers:

European emergency number (police, fire brigade, ambulance): 112

Fire and Rescue Service: 150

Medical Emergency (Ambulance): 155

Police: 158

Nearest Hospital:

Hospital: Liptovská nemocnica s poliklinikou MUDr. Ivana Stodolu

Address: Palúčanská 25, 031 23 Liptovský Mikuláš

Tel: +421 44 556 31 00

More Information: <https://www.nsplm.sk>